

Surveillance Video over Powerline



VueEDGE VE2T

Digital Video Encoder With Dual Powerline and Ethernet Technology

The **VueEDGE** video encoder has been designed as the ultimate solution for locations that would like to leverage the best of IP technology with their existing analog cameras. This full-featured, plug-and-play digital encoder and server can be installed utilizing Powerline technology or by connecting to the Ethernet where cabling has already been installed. Alternately, a hybrid solution can be configured using both technologies when video surveillance systems require alternate solutions. This flexibility offers a cost effective and easy-to-install product for both business and home owners.

VueEDGE offers high quality video streaming with selectable MJPEG or MPEG4 compression and supports two-way audio, alarm or events triggers, and control data. Utilizing IP technology, locations can establish remote monitoring capabilities and access future software upgrades via the Internet.

VueEDGE is an essential component of the **PL-VUE** system, a sophisticated solution which can manage and record all your video surveillance requirements. VisualGate Systems has developed patent-pending technology based on HomePlug technology and protocols, to provide a secure and easy-to-install solution for both commercial and residential applications.

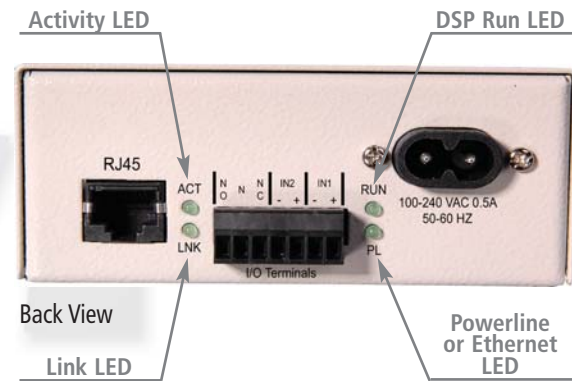
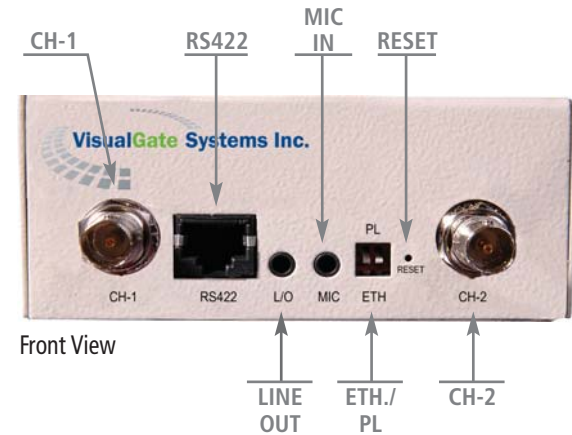
Features:

- Encodes camera video for streaming over the network
- Supports audio, alarm events and control data
- Two video input channels
- No new wires when using Powerline technology
- Direct Ethernet connection for use where LAN cabling is already installed
- Enables hybrid solution where some VE2Ts are used in Powerline mode and others in Ethernet mode
- Video streaming up to 30 fps
- Transmission range in Powerline mode up to 1000 feet
- Superior security with embedded 56-bit encryption and password-based access
- Selectable MJPEG or MPEG4 compression for each **VueEDGE**
- System firmware remotely upgradeable
- Embedded 85 Mbps HomePlug 1.0 Turbo compliant technology
- Embedded power supply 110-240 VAC
- PTZ camera and mount control via RS422
- PTZ supports Pelco D standard, others user definable
- 2 Opto-isolated inputs and 1 relay output
- Pre and post alarm video storage by event or trigger
- Housed in an easy-to-mount metal case
- Set-up and function management are done through **VueSOFT** software
- Easy to install, plug-and-play set up

VueEDGE Technical Specifications

VueEDGE VE2T

System Requirements	Requires VueNVR or VueSOFT installed on a PC
Video and Compression	MPEG4 - selectable image frame rate up to 30 fps MJPEG - selectable image frame rate up to 30 fps
General I/O	2 x BNC video in connectors 1 x RJ-45 10/100 Base-T auto sensing Ethernet port 1 x RJ-45 RS422 port (PTZ control, selectable baud rates 2400, 4800, 9600) Inputs: 2 x opto-isolated sensors (3-12VDC/50mA) dry contacts Output: 1 x relay (trigger) max 24VDC/1A, time settings selectable 1-30 seconds Dipswitch: selection for Powerline or Ethernet function Pushbutton: reset for default configuration Audio line out and mic input (mini-phone 3.5mm) AC input - male 2 pin socket
Video Input	NTSC/PAL
Supported Protocols	TCP/IP, PING, ICMP
Security	56-bit encryption
Software	Operating System: RTOS System firmware upgradeable remotely via HTTPS/TCP
Hardware and Video Server Engine	64-bit DSP MJPEG and MPEG4 embedded firmware engine Hardware watchdog Memory: <ul style="list-style-type: none"> • 32MB SDRAM • 4MB flash memory 4 LEDs: <ul style="list-style-type: none"> • Powerline or Ethernet activity • Powerline or Ethernet link • DSP run • Powerline or Ethernet mode
Certifications and Regulatory	FCC class A cTUVus
Power Supply	AC embedded power supply, consumption 10W
Operating Temp	5 - 40 degrees C (40 - 122 degrees F)
Humidity	RH 10 - 90%
Dimensions (LxWxH)	Approx 6.75" x 5.25" x 2" / 17 cm x 13 cm x 4.5 cm
Weight	1.6 lbs or 0.8 kg
Enclosure	Steel with corrosion protection and powder coating
Power Source	100 - 240 VAC, 0.5 A, 47 - 63 Hz



VisualGate Systems Inc.

64 Bakersfield Street, Toronto, Ontario, Canada M3J 2W7
 Tel: 416.635.1919 • Toll Free: 1.866.898.9236
 Fax: 416.635.7557 • Email: info@visualgatesystems.com
 Web: www.visualgatesystems.com

All features and specifications are subject to change without notice.

